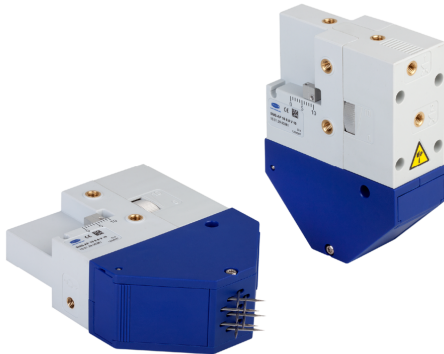
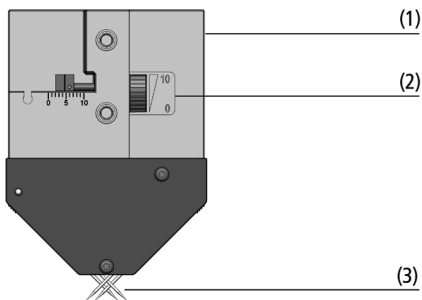


Needle Grippers SNG-AP

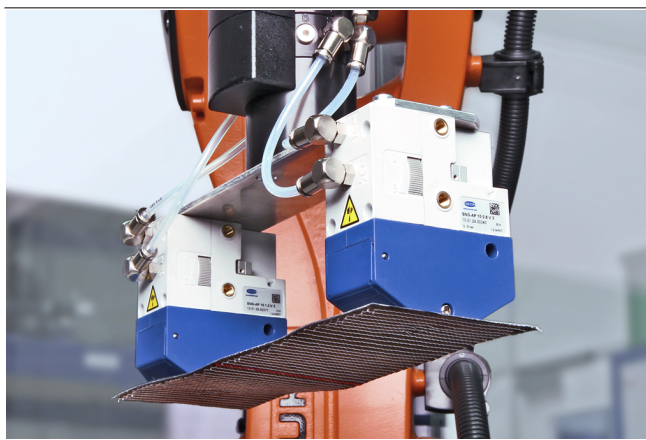
Needle stroke max. 3 mm to max. 20 mm (variable)



Needle Grippers SNG-AP



System design Needle Grippers SNG-AP



Needle grippers SNG-AP being used for handling composite textiles

Suitability for industry specific applications

Application

- Needle gripper for handling non-rigid and highly porous materials (primary textiles)
- Handling materials that are difficult to grip using vacuum such as textiles, fleece, filter materials, insulation and foam materials, and much more
- Flexible handling of materials with changing stacking height due to free selectable stroke adjustment

Design

- Driven by double-acting pneumatic cylinders
- High-strength housing with lightweight design (1)
- Three sizes with needle strokes of max. 3 mm, 10 mm or 20 mm
- Adjustment wheel (2) with scale for continuous, simultaneous stroke adjustment
- Ten needles (3) with diameters of 0.8 mm or 1.2 mm (depending on the model)
- Insertion angle of 30° or 45° (depending on the model)

Product highlights

- Gripping with crossing needles and minimal effective area ideal for very unstable and small workpieces
- Blow off function enables fast and reliable depositing with shortest cycle times
- Quick start-up and adaptation to the workpiece thanks to tool-free needle stroke adjustment up to max. 20 mm
- Low weight and double-acting pneumatic cylinder for minimum cycle times

Needle Grippers SNG-AP

Needle stroke max. 3 mm to max. 20 mm (variable)

Designation code Needle Grippers SNG-AP

SNG-AP	–	10	–	0.8	–	V	–	3
1		2		3		4		5

1 – Abbreviated designation

Code	Version
SNG-AP	Crossed needles

2 – Number of needles

Code	Number
10	10

3 – Needle diameter

Code	Diameter in mm
0.8...1.2	ø 0.8 and 1.2

4 – Product addition

Code	Type
V	Variable needle stroke

5 – Needle stroke

Code	Stroke in mm
3...20	3 to 20

Needle gripper SNG-AP is delivered assembled. The product consists of:

- gripper of type SNG-AP - available with various needle diameters and strokes

Available spare parts: needle modules, maintenance cover

Available accessories: mounting plate, holder system, add-on kit sensor (retrofitting kit), screw in push Fittings (plug union, elbow)

Ordering data Needle Grippers SNG-AP

Type	Part no.
SNG-AP 10 0.8 V 3	10.01.29.00340
SNG-AP 10 0.8 V 10	10.01.29.00361
SNG-AP 10 1.2 V 3	10.01.29.00377
SNG-AP 10 1.2 V 10	10.01.29.00381
SNG-AP 10 1.2 V 20	10.01.29.00362

Ordering data Spare parts Needle Grippers SNG-AP

Type	Spare parts*		Part no.
SNG-AP 10 0.8 V 3	Needle module	ERS SNG-AP/AE 10 0.8 3	10.01.29.00405
SNG-AP 10 0.8 V 10	Needle module	ERS SNG-AP/AE 10 0.8 10	10.01.29.00407
SNG-AP 10 1.2 V 3	Needle module	ERS SNG-AP/AE 10 1.2 3	10.01.29.00406
SNG-AP 10 1.2 V 10	Needle module	ERS SNG-AP/AE 10 1.2 10	10.01.29.00408
SNG-AP 10 1.2 V 20	Needle module	ERS SNG-AP/AE 10 1.2 20	10.01.29.00409

*Set of two needle housings with needles

Type	Spare parts*		Part no.
SNG-AP 10 0.8 V 3	Maintenance cover	ERS SNG-AP/AE 3	10.01.29.00419
SNG-AP 10 0.8 V 10	Maintenance cover	ERS SNG-AP/AE 10	10.01.29.00420
SNG-AP 10 1.2 V 3	Maintenance cover	ERS SNG-AP/AE 3	10.01.29.00419
SNG-AP 10 1.2 V 10	Maintenance cover	ERS SNG-AP/AE 10	10.01.29.00420
SNG-AP 10 1.2 V 20	Maintenance cover	ERS SNG-AP/AE 20	10.01.29.00421

*Set of 2 coverages

Needle Grippers SNG-AP

Needle stroke max. 3 mm to max. 20 mm (variable)

Ordering data Accessories Needle Grippers SNG-AP

Type		Part no.
Mounting plate	BEF-PL 38x15x11.5 G1/4-IG SNG	10.01.29.00403
Holder system	HTS-A3 SNG AP/AE OP	10.01.29.00619
Holder system	HTS-A2 SNG AP/AE OP	10.01.29.00622
Holder system	HPS-SNG 2M6 AP/AE OP	10.01.29.00666
Retrofitting kit	SET SNG AP-Sensor	10.01.29.00400
Plug union, elbow	STV-W M5-AG 6	10.08.02.00296

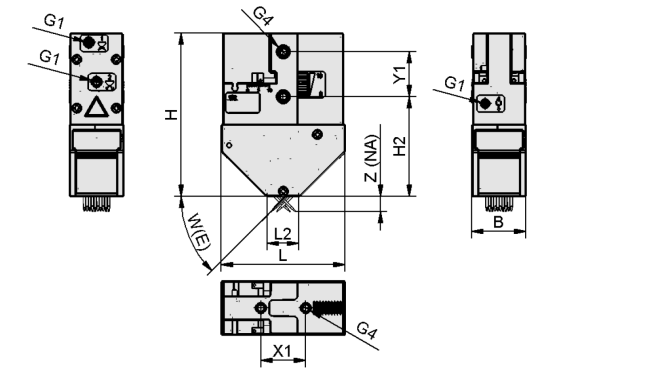
Technical data Needle Grippers SNG-AP

Type	Number of needles	Needle diameter [mm]	Additional function	Pressure range (operating pressure) [bar]	Operating temperature [°C]	Installation position	Weight [g]
SNG-AP 10 0.8 V 3	10	0.8	Variable stroke	3.0 ... 6.0 bar	5 ... 75 °C	BEL	190
SNG-AP 10 0.8 V 10	10	0.8	Variable stroke	3.0 ... 6.0 bar	5 ... 75 °C	BEL	225
SNG-AP 10 1.2 V 3	10	1.2	Variable stroke	3.0 ... 6.0 bar	5 ... 75 °C	BEL	190
SNG-AP 10 1.2 V 10	10	1.2	Variable stroke	3.0 ... 6.0 bar	5 ... 75 °C	BEL	225
SNG-AP 10 1.2 V 20	10	1.2	Variable stroke	3.0 ... 6.0 bar	5 ... 75 °C	BEL	400

Needle Grippers SNG-AP

Needle stroke max. 3 mm to max. 20 mm (variable)

Design data Needle Grippers SNG-AP



SNG-AP

Needle Grippers SNG-AP

Needle stroke max. 3 mm to max. 20 mm (variable)

Design data Needle Grippers SNG-AP

Type	B [mm]	G1		H [mm]	H2 [mm]	L [mm]	L2 [mm]	W(E) [°]	X1 [mm]	Y1 [mm]	Z(NA) [mm]
SNG-AP 10 0.8 V 3	35	M5-F	M5-F	80.2	46.1	65	28	30	29	29	3
SNG-AP 10 0.8 V 10	35	M5-F	M5-F	105.5	64.4	80	22	45	29	29	10
SNG-AP 10 1.2 V 3	35	M5-F	M5-F	80.2	46.1	65	28	30	29	29	3
SNG-AP 10 1.2 V 10	35	M5-F	M5-F	105.5	64.4	80	22	45	29	29	10
SNG-AP 10 1.2 V 20	35	M5-F	M5-F	160.0	104.9	120	22	45	29	29	20